

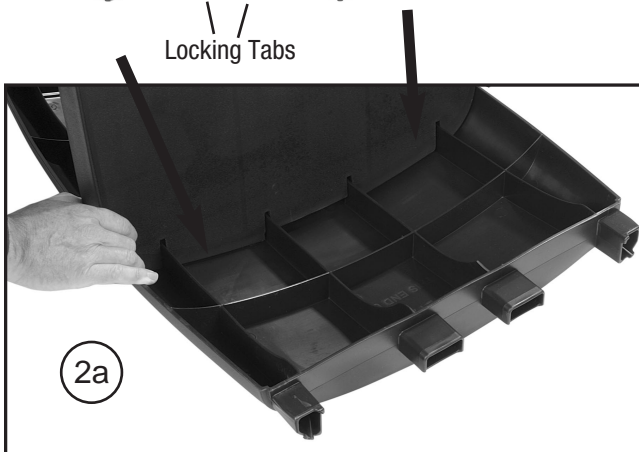
ASSEMBLY INSTRUCTIONS FOR TRANSPORT CART

Tools Requirements: Rubber Mallet; cushioned assembly surface

With just a rubber mallet and 15 minutes, your new Transport Cart assembles quickly and easily.



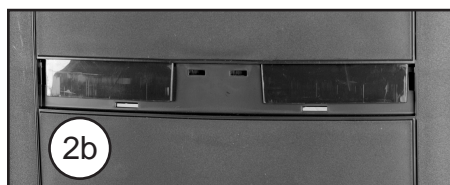
1.) Using either Side (2 long curved Panels) determine top orientation as shown in illustration (1)



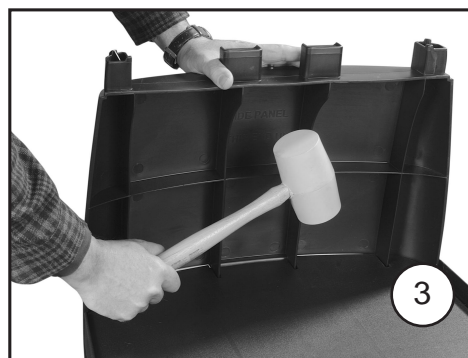
Retaining Lip



2.) Locate the Middle Shelf (shelf with 4 slots – 2 on either end). Align slots on shelf with inside ribs on back of Side Panel above the middle cross brace as shown (2a). Pressing the Middle Shelf into the back of the Side Panel, hammer the Middle Shelf into place. When complete, the 2 large tabs on the end of the Middle Shelf should extend through the 2 corresponding slots on the Side Panel as shown (2b).



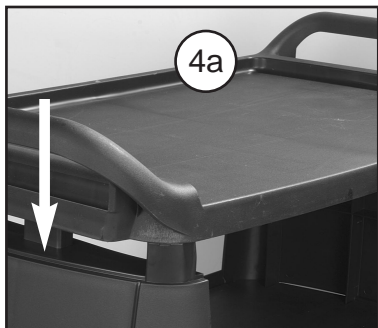
3.) Stand up Shelf and Panel assembly. Align the 2 remaining exposed tabs on the end of the Shelf with the two slots on the opposite Side Panel. While pressing the Shelf into the Panel, hammer Shelf into place as in step two (3). Please note that the Middle Shelf has a retaining lip along its back edge. Make sure to align the corresponding lips on the other two shelves with this one as you attach them in Steps 4 and 6.



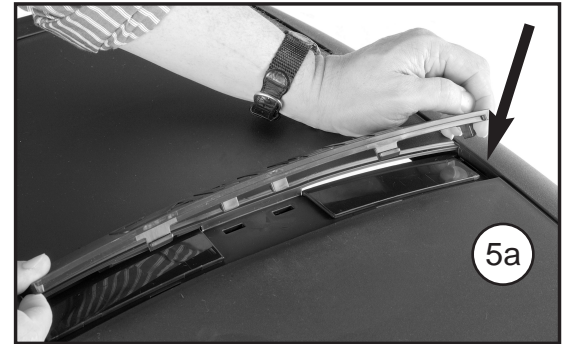
P.O. Box 53006
Oklahoma City, Oklahoma 73152-3006
(405) 475-5600 • FAX (405) 475-5607
1-800-654-8210
www.carlislefsp.com

European Distribution Center:
Edisonstraat 84, P.O. Box 110
6900 AC Zevenaar, The Netherlands
Tel +31/(0)316-596550 • Telex 45642
FAX +31/(0)316-340168
#104803324

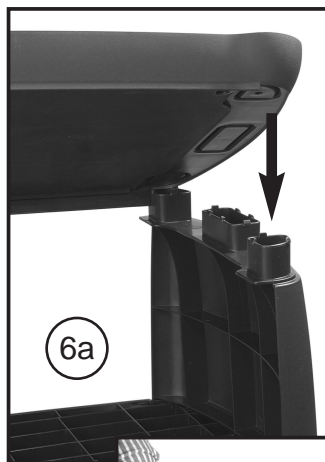
CARLISLE
FoodService Products



4.) Align Top Shelf (*Shelf with Handles*) with the four corner posts on top of the Side Panels as shown **(4a)**. Check to ensure that the retaining lip on this Shelf is on the same side of the cart as the lip on the Middle Shelf. Making sure that each socket on the underside of the Shelf remains lined-up with the corresponding post, hammer the Top Shelf in place as shown **(4b)** until Shelf is fully seated on the Side Panels.



5.) Turn cart on end. Align the tabs on the End-Cap (*strip with logo*) with the corresponding slots on the center of the Side Panel as shown **(5a)**. Starting in the middle and moving in one direction, hammer each tab into the Side Panel as shown **(5b)** until the End-Cap is flush with the Side Panel. Turn Cart over and repeat with other side.



6.) Turn cart upside down. Align Bottom Shelf with the four corner posts on the bottom of the Side Panels as shown **(6a)**. Check to ensure that the retaining lip on this Shelf is on the same side of the cart as the lip on the other two Shelves. Making sure that each socket on the underside of the Shelf remains lined-up with the corresponding post, hammer the Bottom Shelf in place as shown **(6b)** until Shelf is fully seated on the Side Panels.



7.) Insert White Caster Sleeves into the sockets **(7)** on each of the four corners of the Bottom Shelf. Gently tap each Sleeve into the Shelf until the rim on the Sleeve is flush with the top of the Socket.

8.) Insert a Caster into each Sleeve. Carefully hammer each Caster until the Plate on the Caster sits flush with the Rim on the Sleeve.

9.) Turn cart upright and hammer four exposed Locking Tabs on the inside of each Side Panel into Bottom Shelf.